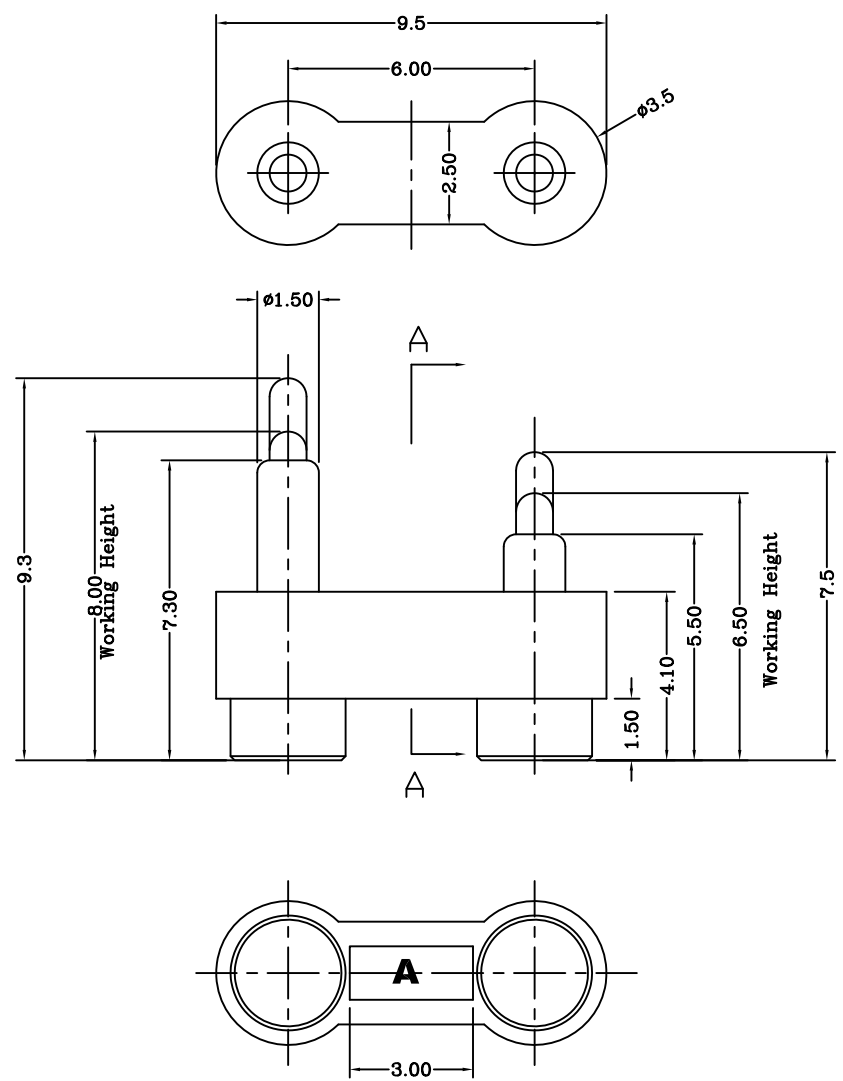


THIS INFORMATION IS CONFIDENTIAL AND IS DISCLOSED TO YOU ON CONDITION THAT NO FURTHER DISCLOSURE IS MADE BY YOU TO OTHER THAN TOP-LINK PERSONNEL WITHOUT WRITTEN AUTHORIZATION FROM TOP-LINK LTD.

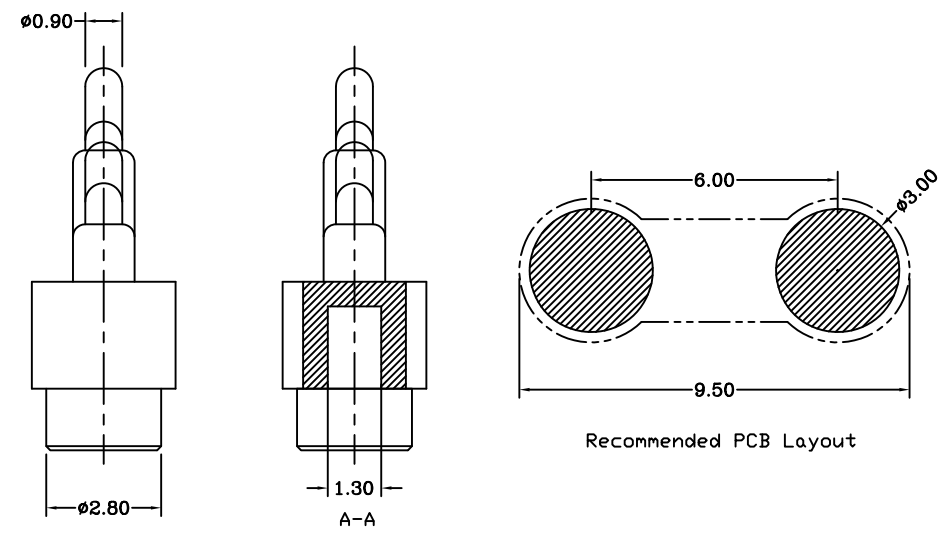
DWG NO.  
C-100034



USED ON  
-



Notes:  
 1 Material, Housing: PA 4.6 (30% Glass Filled)  
     Color Black.  
     Contact: Brass  
 2 Mechanical demands:  
     Plating Plunger: 0.5Um Au over 2.5um Ni  
     Plating Body: 0.125Um Au over 1.4um Ni.



|      |   |
|------|---|
| LDC  | - |
| DIST | - |

|               |                 |      |      |
|---------------|-----------------|------|------|
| update remark | 2007/09/07      |      |      |
| LTR           | REVISION RECORD | APVD | DATE |

DIMENSIONS IN MM  
 TOLERANCES UNLESS  
 OTHER SPECIFIED  
 0 = ±-  
 0.0 = ±0.15  
 0.00 = ±0.10  
 0.000 = ±  
 ANGLE: ±1°  
 SURF TEXTURE: 3.2/  
 REMOVE BURRS. BREAK  
 SHARP EDGES R0.05 MAX  
 DO NOT SCALE PRINT

|                                                                         |              |                           |
|-------------------------------------------------------------------------|--------------|---------------------------|
| MATL                                                                    | HT TR        | FIN                       |
| DWN Benny                                                               | APVD Lansing | FIN ✓                     |
| CHK Andy                                                                | REL          | Top-Link Electronics Ltd. |
| NAME BATTERY POGO CONNECTOR 2 POSITIONS<br>(PGC-1.5-7.5/9.3-R-2P-6.0PH) |              |                           |
| SCALE 1:1                                                               | A4           | DWG NO. C-100034          |
| SHEET 1 OF 1                                                            | REV B        |                           |

|             |
|-------------|
| 100034-2    |
| PART NUMBER |